

ALTMAN

Catalog number:

902

DYNA-SPOT



1500 Watt

Dyna-Spot & 902 follow spots

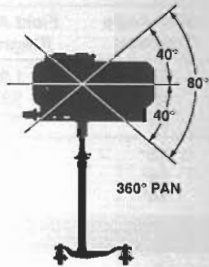
Ruggedly constructed short throw follow spots, the 902 and the DYNA-SPOT both produce hard or soft edged beams. The difference being the DYNA-SPOT has a more intense beam, but has a smaller range of beam angles. With easy to use controls mounted at the rear of each lamphouse, their respective beams can be adjusted from spot to flood at a distance of up to 60 feet for the 902, and 100 feet for the DYNA-SPOT. The beams may be further attenuated by using the integral iris for spot size adjustment and the framing shutters for top and bottom edge framing in the flood focus position. These follow spots are designed for operation with both incandescent and quartz halogen lamps. These luminaires can be used in any application where manual control of a lighting beam is required to follow a performer and to vary beam size, quality and color.

Features

- Rear operated controls
- Integral iris and framing shutters
- Six color boomerang with dowser
- Integral 25' power cable
- Sheet steel and die cast aluminum construction
- Adjustable casted stand with cable hook included
- Positive locking pan and tilt adjustment
- U.L. and c.U.L. listed for 1500 watts

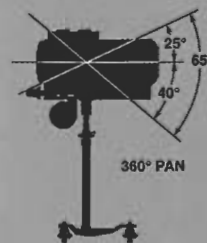
Specifications may vary from time of printing.

PAN AND TILT ANGLES:

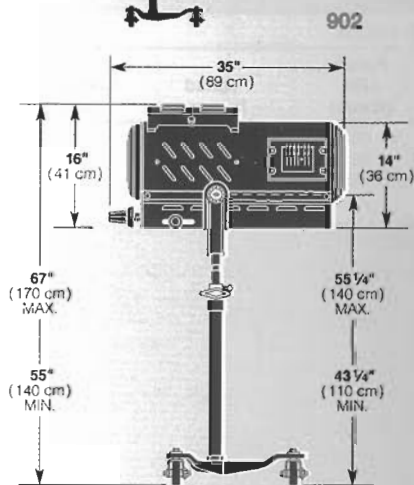


Weights:
Lamphouse - Approx. 40 lbs. (18.2 kg)
Stand & Yoke - Approx. 10 lbs. (4.5 kg)
Base - Approx. 22 1/2 lbs. (10.2 kg)
Total Net Weight - Approx. 72 1/2 lbs. (32.9 kg)

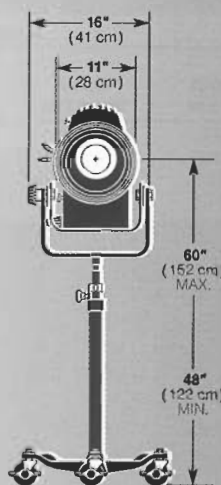
PAN AND TILT ANGLES:



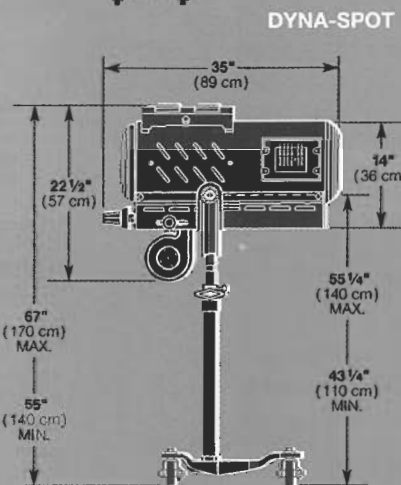
Weights:
Lamphouse - Approx. 42 lbs. (19.1 kg)
Stand & Yoke - Approx. 10 lbs. (4.5 kg)
Base - Approx. 22 1/2 lbs. (10.2 kg)
Total Net Weight - Approx. 74 1/2 lbs. (33.8 kg)



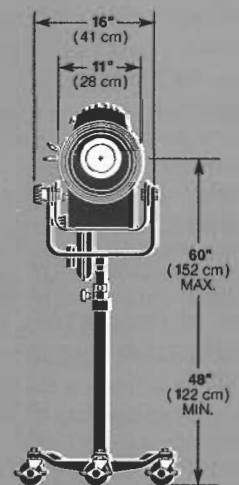
902



FRONT VIEW



DYNA-SPOT



FRONT VIEW

ALTMAN

THE QUALITY OF LIGHT

Altman Stage Lighting Company, Inc.

57 Alexander Street, Yonkers, NY 10701

914-476-7987

212-569-7777

FAX: 914-963-7304

ALTMAN

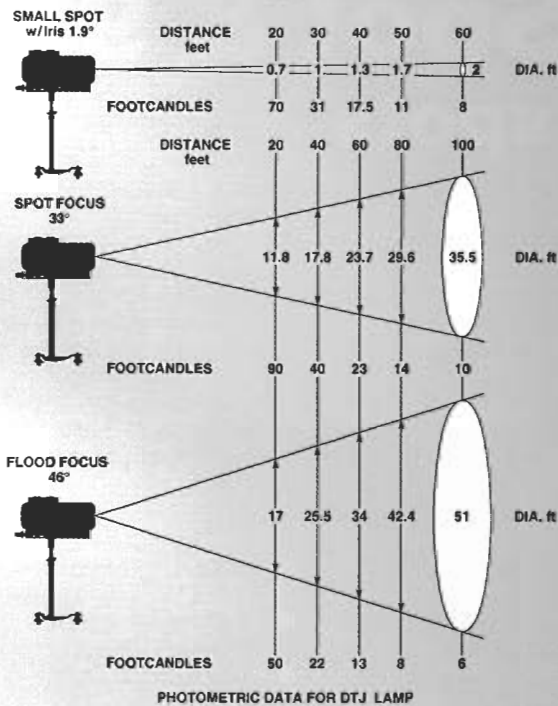
Catalog number:

902

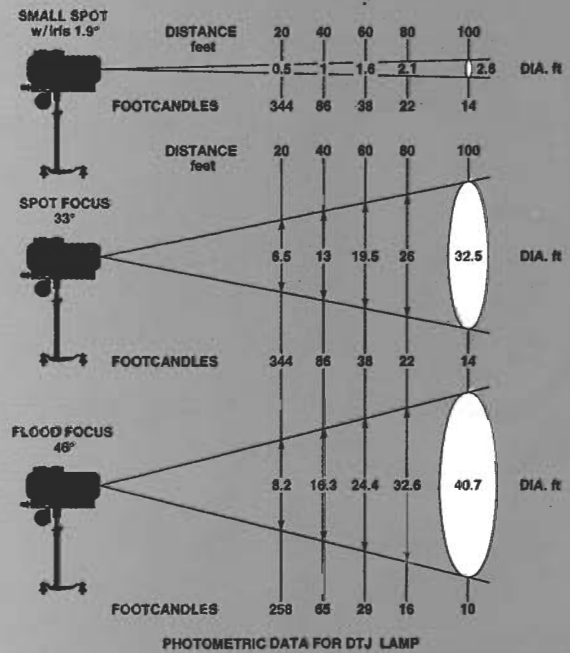
DYNA-SPOT

Dyna Spot & 902 Follow Spots

902



DYNA-SPOT



Specifications

LAMPHOUSE: Sheet steel and die-cast aluminum construction.

MATERIALS: Construction employs all corrosion-resistant materials and hardware.

RATING: Input - 120 VAC, 12.5 amps for 902. 120 VAC, 13.1 amps for DYNA-SPOT. (220-240 VAC, 50/60 Hz units available.)

LAMP: 1500 watts maximum.

SOCKET: Altman mogul prefocus, toolless relamping.

CABLE: 25' 14/3 SOW provided with male edison plug.

POWER SWITCH: 120 VAC, 15 amp toggle snap switch.

COOLING: Forced air cooling for DYNA-SPOT via single blower, provided with finger guards. 902 is convection cooled.

YOKE: 1/8" flat steel with locking dog tilt handle.

LENSES: All lenses are high purity crown glass (white plate). Front lens: 4.5 x 9 plano convex for 902, and 4.5 x 12 plano convex for DYNA-SPOT. Center lens: 4.5 x 9 plano convex for 902, and 4.5 x 6.5 plano convex for DYNA-SPOT. Rear lens: 4.5 x 2.5 x 6.5 conza for both follow spots.

REFLECTOR: Alzak aluminum, spherical design.

IRIS: 18 leaf, high grade stainless steel, rear operated.

COLOR CHANGER: 6 frame friction type color boom allows for single or multiple colors to be inserted into beam path. Color changer removable without the use of tools.

PERFORMANCE CHART WITH DTJ LAMP

Fixture Type	Focus	Candlepower (Candela)	Beam Angle (Degrees)	Field Angle (Degrees)
902	Small Spot w/Iris	44,000	1.9°	1.9°
	Spot	54,000	23°	33°
	Flood	34,000	25°	46°
DYNA-SPOT	Small Spot w/Iris	137,500	1.5°	1.5°
	Spot	137,500	14°	18.5°
	Flood	103,125	14°	23°

LAMP DATA

Watts	ANSI Code	Color Temp (°K)	Rated Life (Hours)	Rated Lumens	Correction Factor
1000	DPW	3200	50	28,000	.66
1000	DSB	3225	25	28,500	.67
1500	DTA	3200	100	39,000	.92
1500	DTJ	3225	25	42,500	1.0

DOWSER: Allows for instantaneous blackout and incorporated into color boom.

ACCESS DOOR, TOP: Hinged, allows access to lamp for replacement, to lenses and reflector for cleaning, and to carriage rods for cleaning and lubricating.

FOCUSING, FIXTURE: Front lens carrier travels along zinc plated steel guide rails and is side operated.

STAND: Three legged stand is height adjustable (12" maximum), each leg provided with wheel and wheel lock. Height adjustment lock allows for 360° continuous pan. Cable hook also included.

FINISH: Baked black enamel, electrostatic application.

WEIGHT: Total net weight: approx. 72 1/2 lbs. for the 902. DYNA-SPOT total net weight: approx. 74 1/2 lbs.

ALTMAN

THE QUALITY OF LIGHT

Altman Stage Lighting Company, Inc.
57 Alexander Street, Yonkers, NY 10701

914-476-7987

212-569-7777

FAX: 914-963-7304

3M/4171/5.97