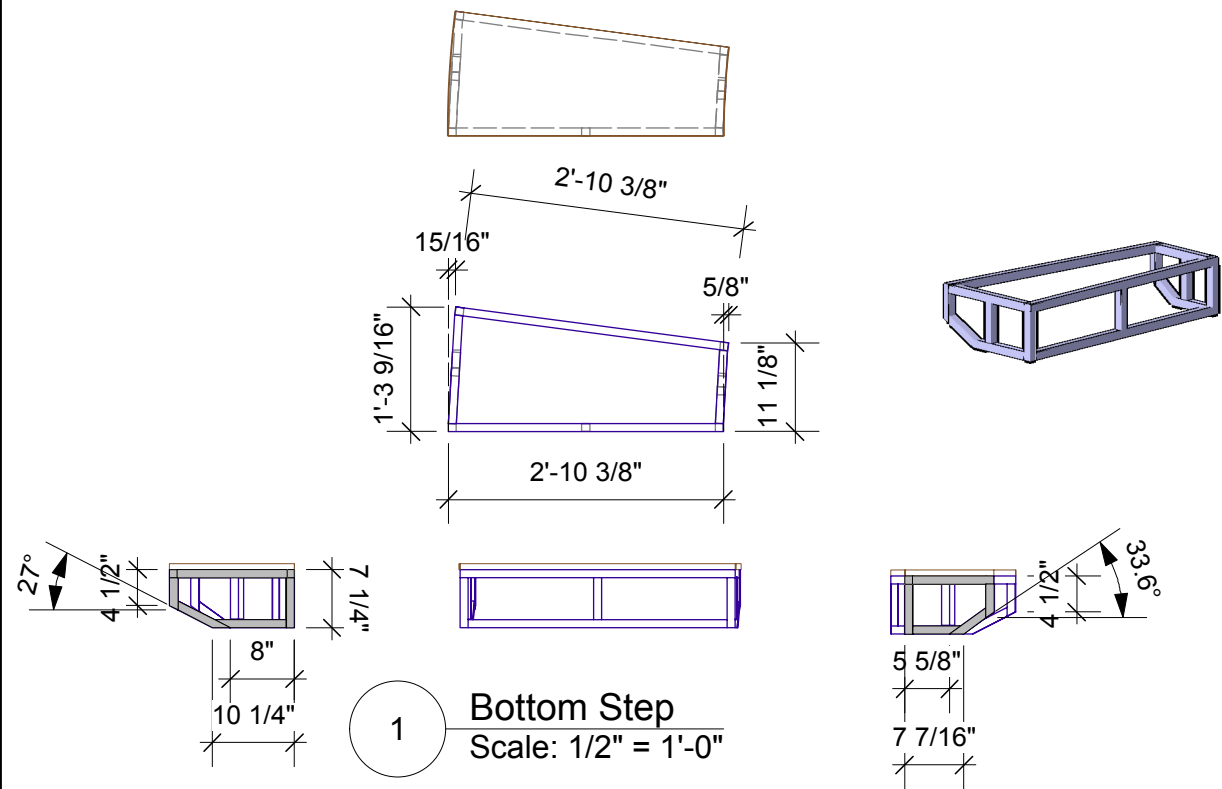


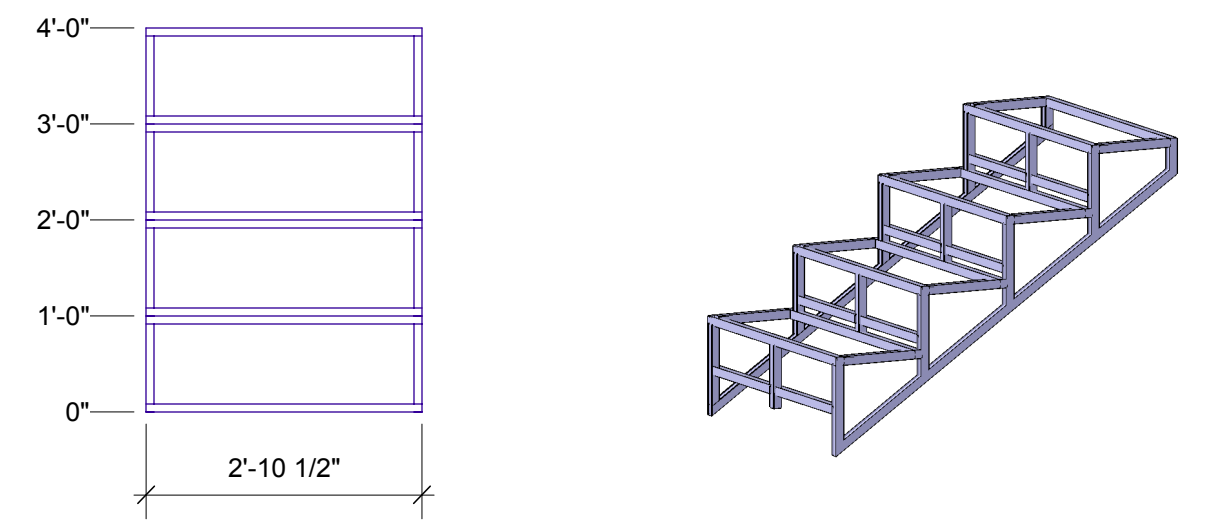
1/2"



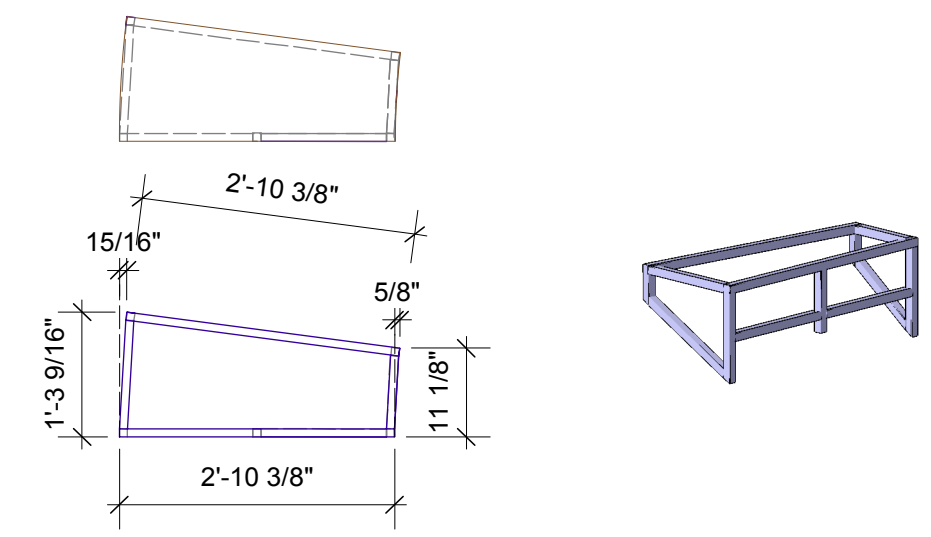
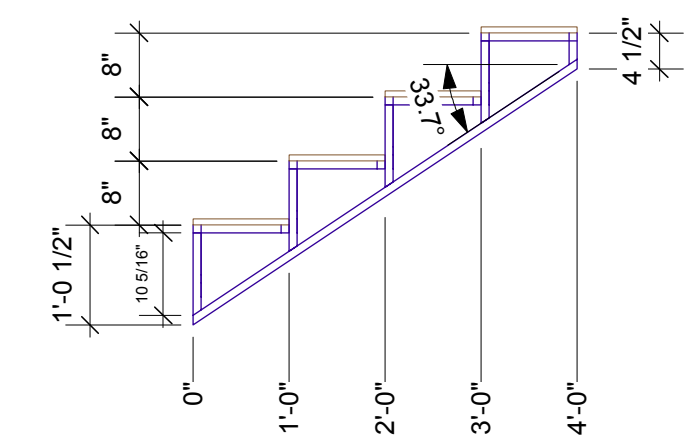
1 Bottom Step
Scale: 1/2" = 1'-0"

3 Bottom Step Left True
Scale: 1/2" = 1'-0"

2 Bottom step Right True
Scale: 1/2" = 1'-0"



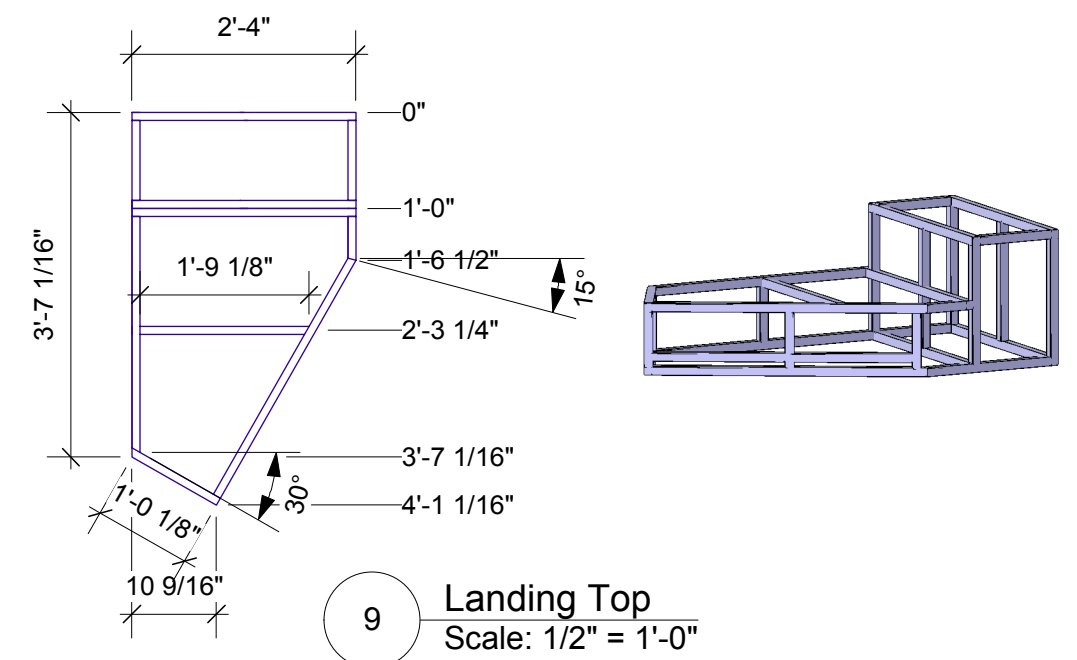
7 Straight Stairs Top
Scale: 1/2" = 1'-0"



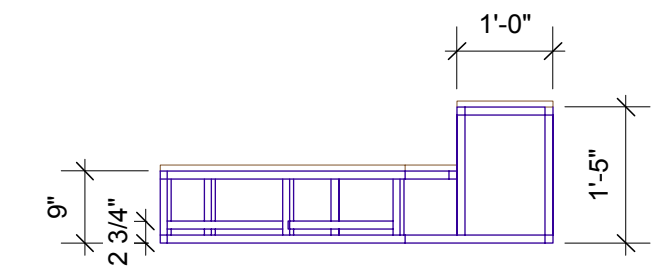
4 Bottom Step
Scale: 1/2" = 1'-0"

5 Bottom Step Left True
Scale: 1/2" = 1'-0"

6 Bottom step Right True
Scale: 1/2" = 1'-0"



9 Landing Top
Scale: 1/2" = 1'-0"



BUILD 6

Title CSF Rippon 2013 des: Lisa Orzolek		
Drawing Number wrk-14	Drawn By N Kargel	Date 4/25/13
CAD File Name Midsummer Stair Parts		